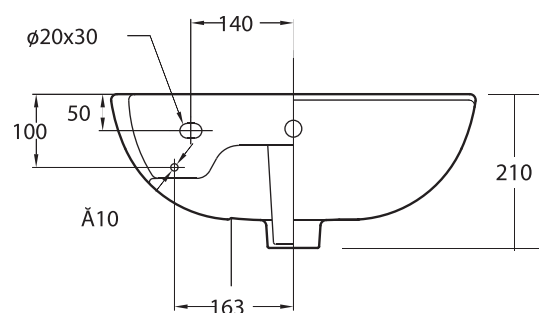
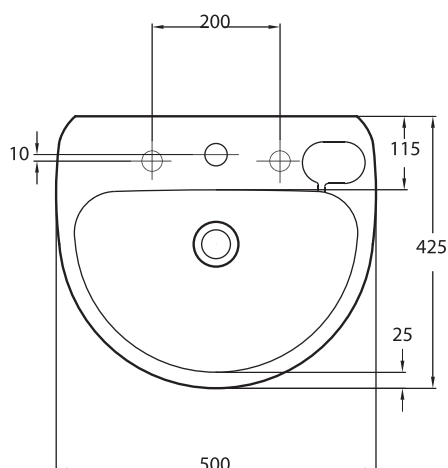


AMERICAN STANDARD

STUDIO WALL BASIN 500MM



SPECIFICATION

Recommended Use	Domestic, Hotel & Commercial
Material	Vitreous China
Capacity	3.6 Litres
Weight	7.3 kg
Fixing	Bolted to wall using Fixing Bolts (supplied)
Integrated Overflow	Yes.
Tap Hole Availability	1 and 3
Plug & Waste	Suits 32 x 40mm overflow waste
Colour Availability	White

Note: Full pedestal is an optional extra.



CLEANING RECOMMENDATIONS

We recommend the use of soapy water or approved cleaners.

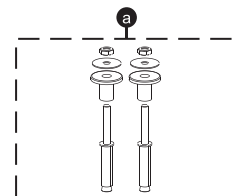
This product should not be cleaned with abrasive materials.

Damage caused by any improper treatment is not covered by the product warranty. Refer to Warranty Conditions.

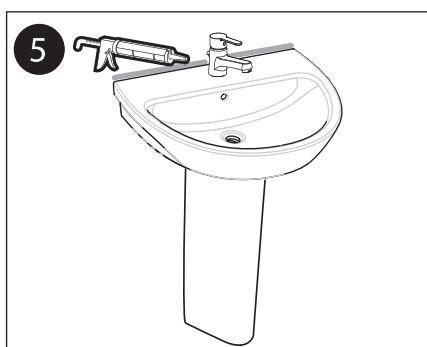
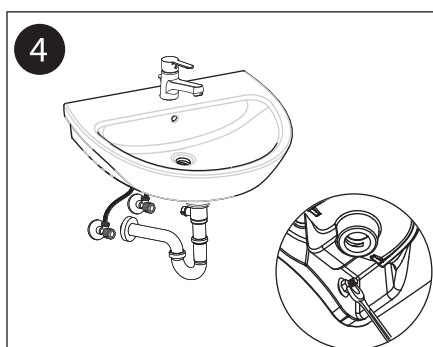
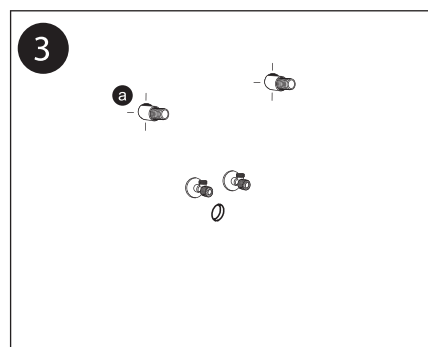
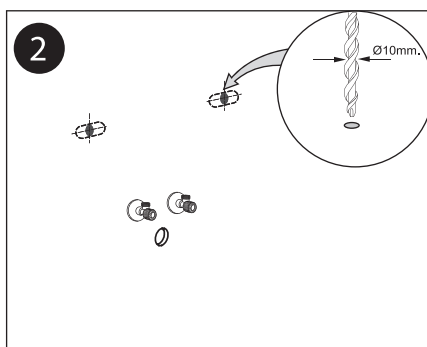
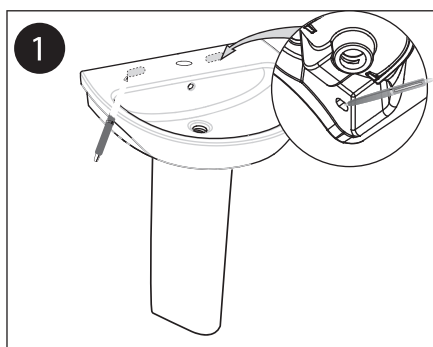
AMERICAN STANDARD

STUDIO WALL BASIN 500MM

INSTALLATION INSTRUCTIONS



Note: Full pedestal is an optional extra.



Note: If fixing to timber framed walls or partitioning, the wall should be reinforced with noggins to receive the fixing bolts .

Plumbers, please ensure a copy of the installation instructions is left with the end user for future reference

*American
Standard*